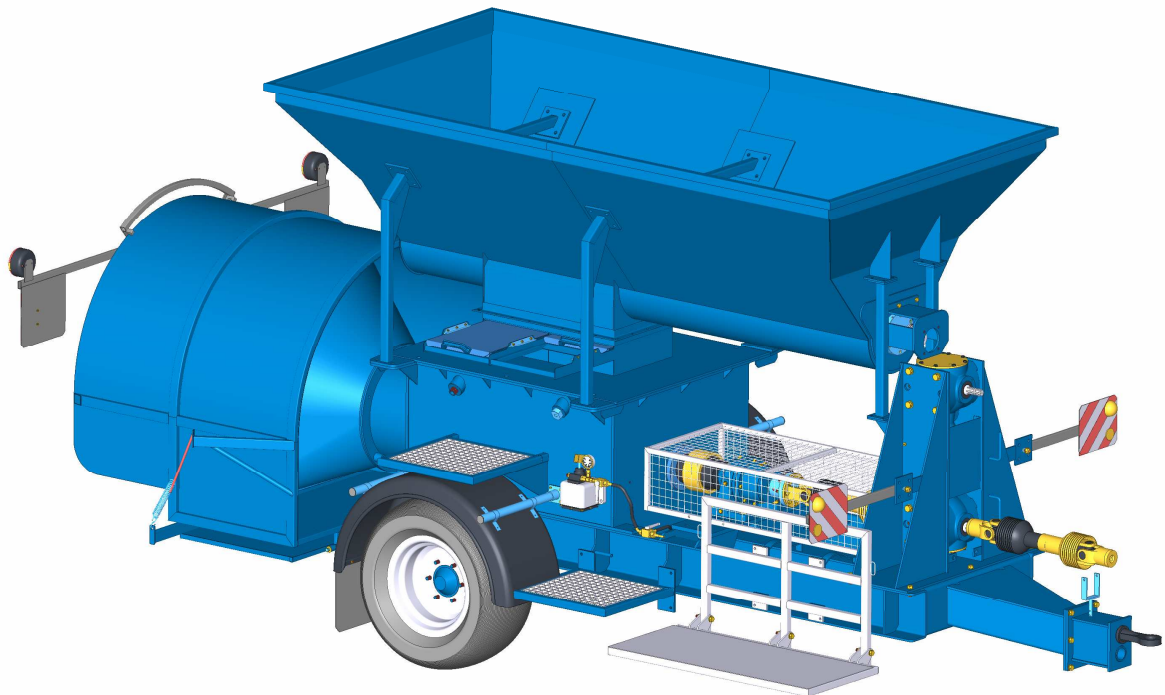




## Bagging machine GB6 SF



### **Czech Republic**

Průmyslová 2082

59401 Velké Meziříčí

Tel.: +420 566 543 930

Fax.: +420 566 542 009

[info-cz@eurobagging.com](mailto:info-cz@eurobagging.com)

### **The Netherlands**

Hoiteburorren 31

8566 JD Nijemirdum

Tel.: +31 514 571 340

Fax.: +31 514 572 086

[info@eurobagging.com](mailto:info@eurobagging.com)

[www.eurobagging.com](http://www.eurobagging.com)

Standard specification includes:

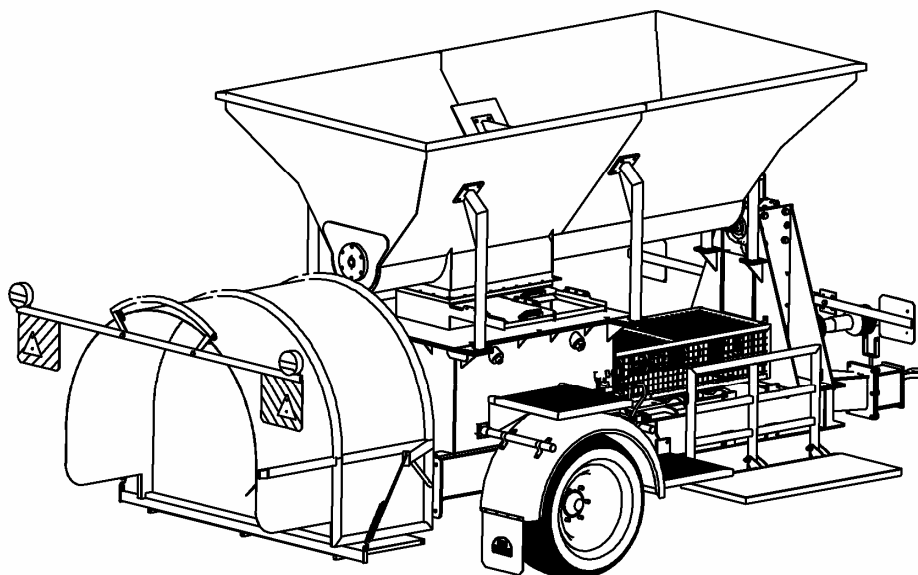
- Capacity up to 80 t/h
- Hopper for wet by-products
- Sliding doors
- Transport brakes – air or hydraulic
- Exchangalbe tunnels
- Road speed 40 km/h (lights for transport, mudguards)

**Extras:**

- **1,2 m tunnel (4 foot)**
- **1,5 m tunnel (5 foot)**
- **2,0 m tunnel (6,5 foot)**
- **2,4 m tunnel (8 foot)**
- **Holder 1 barrel for 200l**
- **Holder 2 barrels 200l**
- **Applicator for additive**
- **Comfort kit**  
(lights for night, toolbox, tank for water)

**Technical specification:**

Length, width, height (mm):	6102, 2450, 2520 (subject to specification)
Weight:	3050 kg (subject to specification)
Input power:	80 – 120 HP
Necessaries:	Hydraulic circuit (1x for hopper)
Transport speed:	max 40 km/h



For the price offer contact our sales persons!

**Czech Republic**

Průmyslová 2082

59401 Velké Meziříčí

Tel.: +420 566 543 930

Fax.: +420 566 542 009

[info-cz@eurobagging.com](mailto:info-cz@eurobagging.com)

**The Netherlands**

Hoiteburoorren 31

8566 JD Nijemirdum

Tel.: +31 514 571 340

Fax.: +31 514 572 086

[info@eurobagging.com](mailto:info@eurobagging.com)

[www.eurobagging.com](http://www.eurobagging.com)