

**EURO
BAGGING**
Just bag it!



**SILAGE BAGGER
EB 310 LX**

EURO BAGGING

Flexible storage in bags

**EURO
BAGGING**
Just bag it!



Tractor powered silage bagger for silage, haylage, corn silage, sugarbeet pulps, by-product from brewing factories and crimped grain.

- Safe transport on all wheels
- Highest density of food in the bag without compromising the quality massive
- Drive system with separate gearboxes

EB 310 LX

High powered machine for farmers and contractors

Specification

Transport speed 40 km with air or hydraulic brakes

Internal braking system with inside rope and wheels braking (sides separately) for maize silage, CCM, sugarbeet pulps, GPS etc.

Steel backstop with out-side ropes for 75m bags - for grass bagging

Tunnel size 2,4 + 2,7 + 3,0m

**EURO
BAGGING**
Just bag it!

www.eurobagging.com
www.youtube.com/eurobagging



Technické specifikace



Standart equipment

Internal braking system with inside rope

Rotors with fingers from abrasion-resistant steel

HARDOX

Mechanical crane arm

Hydraulic tunnel cleaning

Large feedtable with PVC conveyor belt

Sidewalls with extensions



Optional equipment

Aplicator of preservatives



What can be stored?

Haylage

Silage

Corn silage

Sugarbeet pulps

By-product from

breweries

Crimped grain



Technical specifications

Capacity: 80 - 160 t/h *

Power of tractor: 160 - 230 HP

Length of the machine: 6 815 mm

Width in working position: 5 400 mm

Width in transport position: 2 850 mm

Height in working position: 3 350 mm

Height in transport position: 3 950 mm

*it depends on quality and humidity of feed





High quality hydraulic switchboard



Hydraulic gudgeon pin for internal braking system with inside rope
Replaceable rotor counter screens
Hydraulic tunnel cleaning



PNEU 435/50 R19



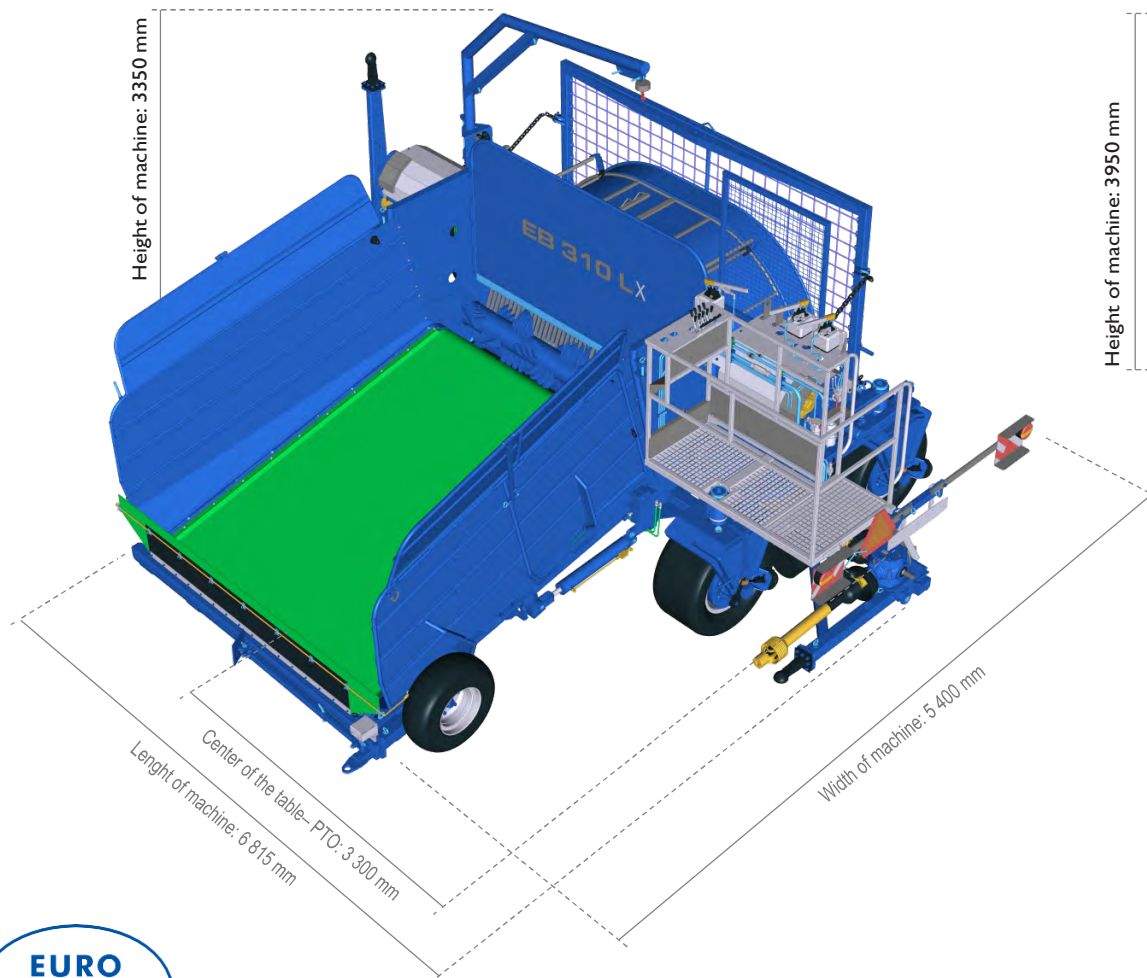
Synoptical control panel



Machine operator has everything under control



Dimensions in working position



Dimensions in transport position

